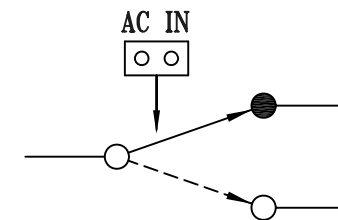
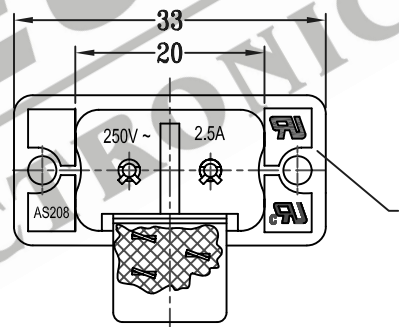
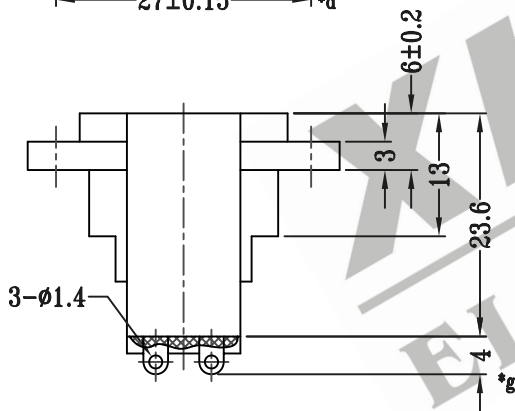
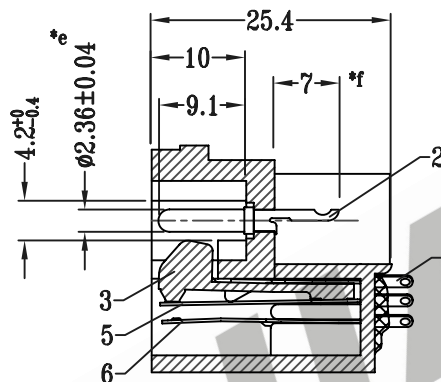
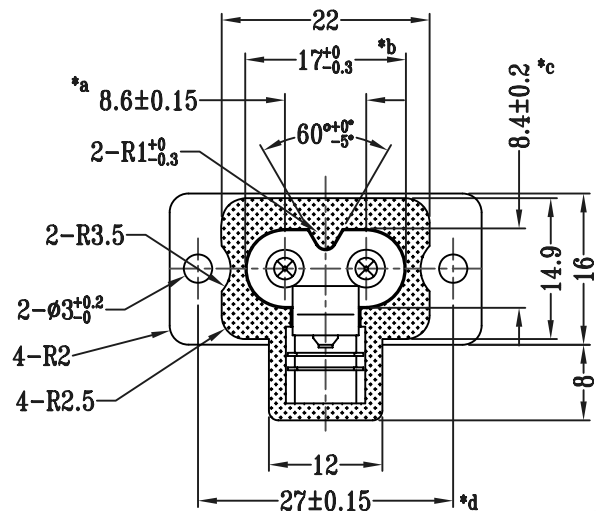


CAD FILE:



SCHMATIC

SAFERY STANDARD APPROVAL :  
UL E232213

注:带"\*"表示关键尺寸(7个)

				TOLERANCE UNLESS SPECIFIED		SHENZHEN XIEJIA ELECTRONICS CO.,LTD.					
				WITHIN: 1.5±0.1mm		ISSUE	DATE	DESCRIPTIONS		APPD.	
				OVER : 1.5±0.2mm							
8						TITLE : AC SOCKET		UNIT : M M	DRWG NO.: XJ-DR-AS208-00		
7						MODEL: AS-208		SCALE: 5:4	DWN.	ZHOUYU	2001-11-8
6	TERMINAL C (AS209)	PBS STRIP	1	Ag PLATED OVER Ni PLATED				CHK'D	FANGYING	2001-11-8	
5	TERMINAL B (AS209)	PBS STRIP	1	Ag PLATED OVER Ni PLATED				APPD.	KANGXINAN	2001-11-8	
4	TERMINAL A (AS209)	BRASS STRIP	1	Ag PLATED OVER Ni PLATED							
3	PRESS BAR	PP RESIN (UL94 V0)	1	BLACK							
2	PLUG PIN	BRASS STRIP	2	Ag PLATED OVER Ni PLATED							
1	CASE	PET+F.G (UL94 V0)	1	BLACK							
NO.	PART NAME	MATERIAL	Q'TY	FINISHING	ALL MATERIALS MUST BE COMPLIANT TO ROHS						